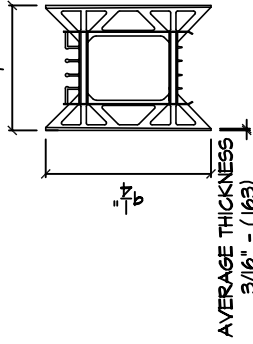


AVERAGE THICKNESS
3/16" - (.163)

4" WEB (CORNER)

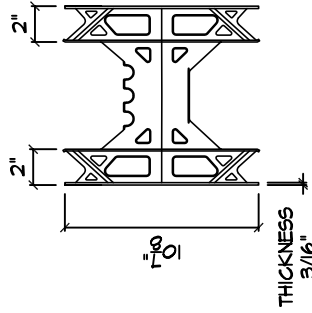
2-4-2
7"



AVERAGE THICKNESS
3/16" - (.163)

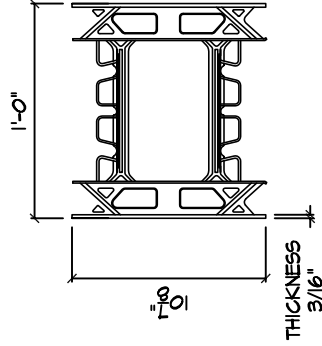
4" WEB (INSERT)

2-4-2



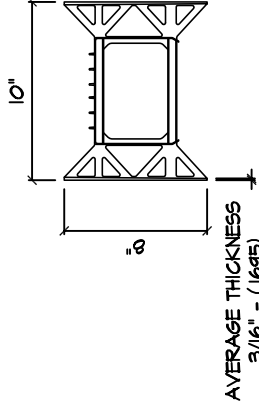
THICKNESS
3/16"

6" WEB (FIXED)



THICKNESS
3/16"

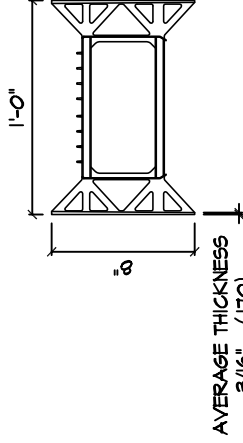
8" WEB (FIXED)



AVERAGE THICKNESS
3/16" - (.1645)

6" WEB (INSERT)

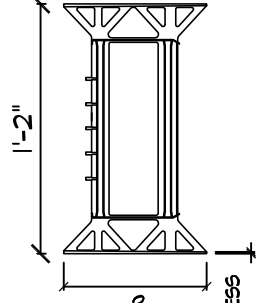
GBLOX



AVERAGE THICKNESS
3/16" - (.170)

8" WEB (INSERT)

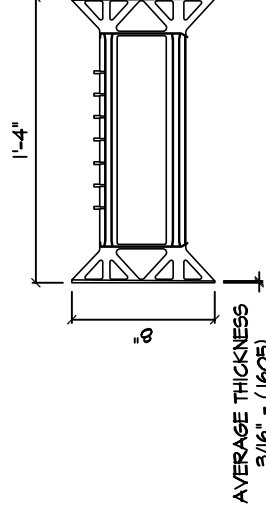
GBLOX



AVERAGE THICKNESS
3/16" - (.170)

10" WEB (INSERT)

GBLOX



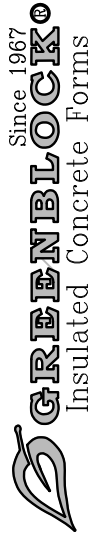
AVERAGE THICKNESS
3/16" - (.1605)

12" WEB (INSERT)

GBLOX

Greenblock Worldwide Corporation
759 S. Federal Highway, Suite 213
Stuart, Florida 34994
Phone: 772-223-8045
Fax: 772-334-5554
Toll Free: 1-800-216-1820

www.Greenblock.com



DISCLAIMER NOTICE: SPECIFIC INFORMATION FOR COMPLIANCE WITH LOCAL CODES, CONSTRUCTION PRACTICES AND REQUIREMENTS IS RESPONSIBILITY OF THE DESIGNER REGARDLESS OF DETAILS SHOWN IN DRAWING. GREENBLOCK WORKWORLD CORPORATION RESERVES THE RIGHT TO CHANGE THE INFORMATION SHOWN WITHOUT NOTICE.

WEB DESIGN

REVISED DATE:

DRAWN BY:
AEG CONSULTANTS, INC. (JML)

DATE:

MAR 04, 2009

SCALE:

NOT TO SCALE

DETAIL NUMBER:

GB-56