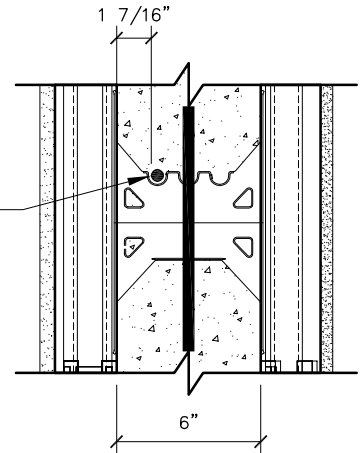


HORIZONTAL REBAR—ALTERNATE SPECIFIED BY ENGINEER

SEE ENLARGED BLOCK DETAIL

MINIMUM CONCRETE COVERAGE SHALL BE 3/4" MIN. AS PER ACI 318-08 SECTION 7.7.1 FOR CAST IN PLACE CONCRETE NOT EXPOSED TO THE WEATHER



ENLARGED BLOCK DETAIL

SPECIFIED FIRE RATED GYPSUM BOARD TAPED, PLASTERED, SANDED & PRIMED. FINISH PER CONTRACTOR SPECS.

VERTICAL REBAR DROPPED BETWEEN ALTERNATING HORIZ. REBAR—SPECIFIED BY ENGINEER

6" CONCRETE CORE

EXTERIOR FINISH SIDING (EIFS, STUCCO, WOOD, VINYL, BRICK, STONE OR ALUMINUM)

NOTE: ENGINEER SHALL SIZE FOUNDATION FOOTING PER SOIL BEARING CAPACITY @ BLDG. SITE SPECIFY REBAR SIZE YIELD & PLACEMENT

CONCRETE SLAB ON GRADE AS SPECIFIED BY ENGINEER

HORIZONTAL REBAR—ALTERNATE SPECIFIED BY ENGINEER

STOP EXTERIOR FINISH AS PER CODE

CLEAN COMPACTED FILL

SLOPE

VAPOR BARRIER

CONCRETE FOOTING & REINFORCEMENT AS SPECIFIED BY ENGINEER

Since 1967
GREENBLOCK[®]
 Insulated Concrete Forms

Greenblock Worldwide Corporation
 759 S. Federal Highway, Suite 213
 Stuart, Florida 34994
 Phone: 772-223-8045
 Fax: 772-334-5554
 Toll Free: 1-800-216-1820

www.Greenblock.com

6" CORE WALL W/ ALTERNATING HORIZONATL REBAR & MINIMUM CONCRETE COVERAGE REQUIREMENT

REVISED DATE:	DRAWN BY: CAI
DATE: OCT 29, 2009	SCALE: 1" = 1'-0"
DETAIL NUMBER	GB-142

DISCLAIMER NOTICE: SPECIFIC INFORMATION FOR COMPLIANCE WITH LOCAL CODES, CONSTRUCTION PRACTICES AND REQUIREMENTS IS THE RESPONSIBILITY OF THE DESIGNER REGARDLESS OF DETAILS SHOWN IN DRAWING. GREENBLOCK WORLDWIDE CORPORATION RESERVES THE RIGHT TO CHANGE THE INFORMATION SHOWN WITHOUT NOTICE.