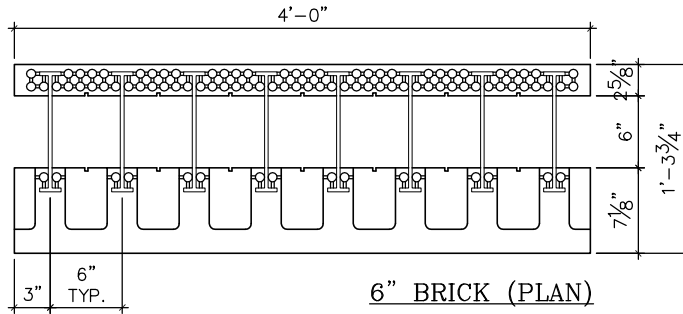
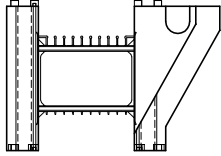


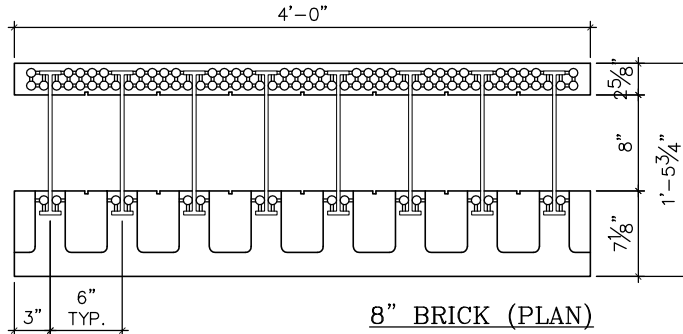
6" SIDE VIEW



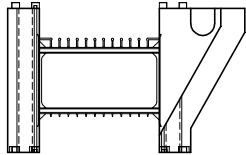
6" BRICK (PLAN)



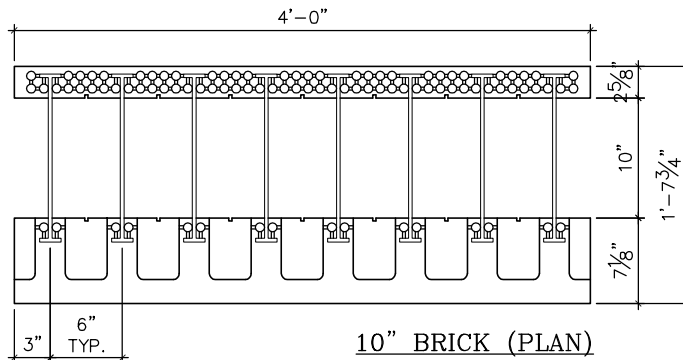
8" SIDE VIEW



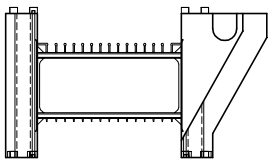
8" BRICK (PLAN)



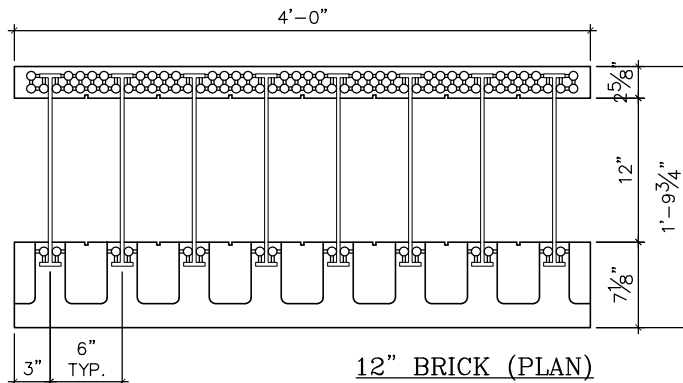
10" SIDE VIEW



10" BRICK (PLAN)



12" SIDE VIEW



12" BRICK (PLAN)

Since 1967
GREENBLOCK[®]
 Insulated Concrete Forms

Greenblock Worldwide Corporation
 759 S. Federal Highway, Suite 213
 Stuart, Florida 34994
 Phone: 772-223-8045
 Fax: 772-334-5554
 Toll Free: 1-800-216-1820
 www.Greenblock.com

BRICKLEDGE ALL CORE SIZES

REVISED DATE:	DRAWN BY: CAI
DATE: JAN 21, 2010	SCALE: 3/4" = 1'-0"
DETAIL NUMBER	GB-101

DISCLAIMER NOTICE: SPECIFIC INFORMATION FOR COMPLIANCE WITH LOCAL CODES, CONSTRUCTION PRACTICES AND REQUIREMENTS IS THE RESPONSIBILITY OF THE DESIGNER REGARDLESS OF DETAILS SHOWN IN DRAWING. GREENBLOCK WORLDWIDE CORPORATION RESERVES THE RIGHT TO CHANGE THE INFORMATION SHOWN WITHOUT NOTICE.