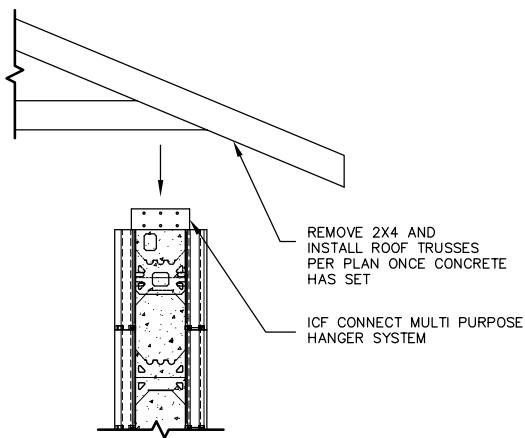
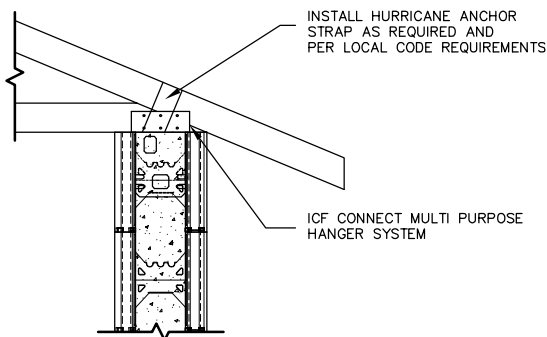


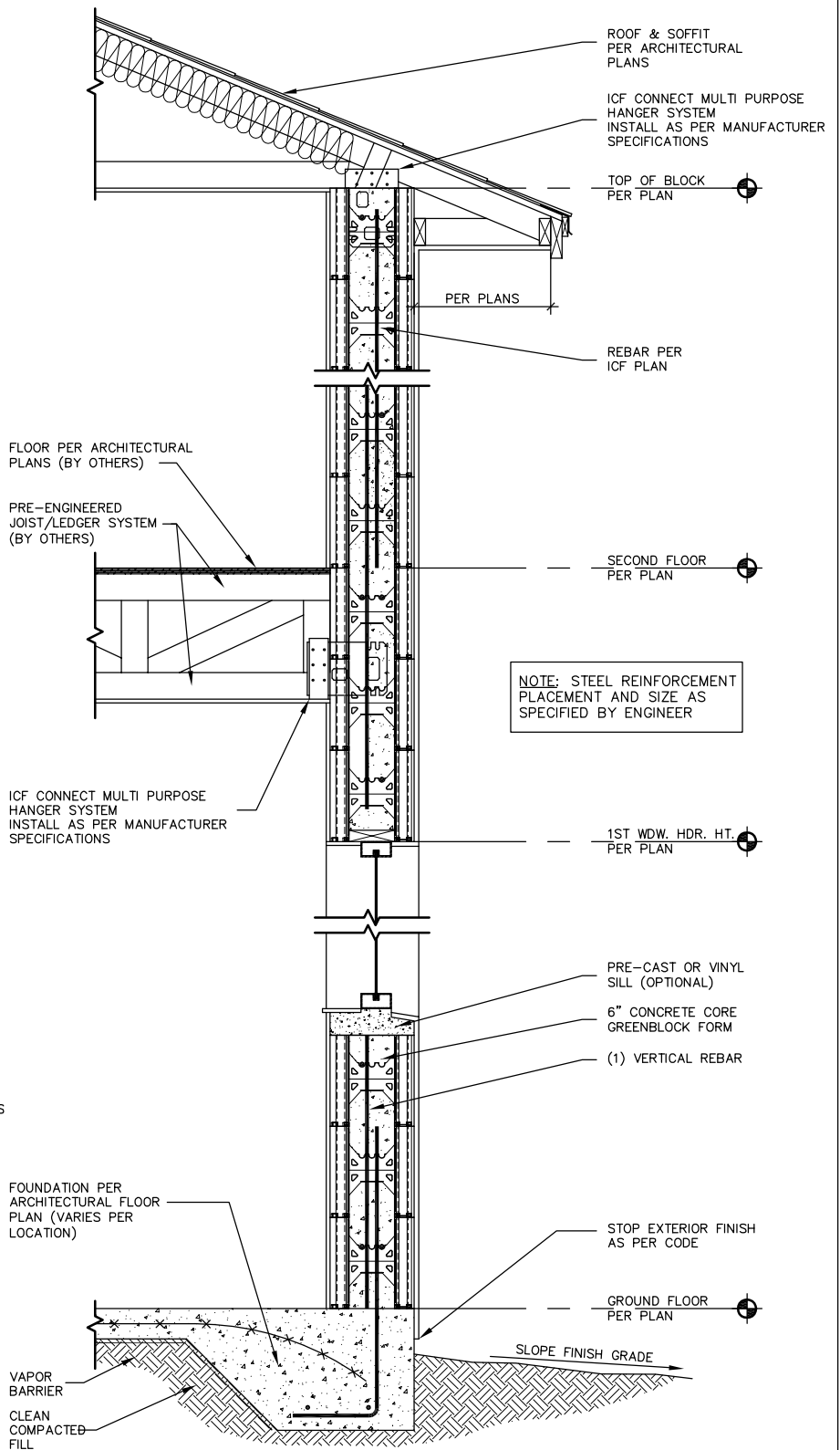
STEP #1



STEP #2



STEP #3



Since 1967  
**GREENBLOCK**<sup>®</sup>  
 Insulated Concrete Forms

Greenblock Worldwide Corporation  
 759 S. Federal Highway, Suite 213  
 Stuart, Florida 34994  
 Phone: 772-223-8045  
 Fax: 772-334-5554  
 Toll Free: 1-800-216-1820  
 www.Greenblock.com

TWO-STORY GREENBLOCK WITH ROOF TRUSS CONNECTION USING ICF CONNECT MULTI PURPOSE HANGER SYSTEM

REVISED DATE:	DRAWN BY: CAI
DATE: FEB 19, 2010	SCALE: NOT TO SCALE
DETAIL NUMBER	GB-154

DISCLAIMER NOTICE: SPECIFIC INFORMATION FOR COMPLIANCE WITH LOCAL CODES, CONSTRUCTION PRACTICES AND REQUIREMENTS IS THE RESPONSIBILITY OF THE DESIGNER REGARDLESS OF DETAILS SHOWN IN DRAWING. GREENBLOCK WORLDWIDE CORPORATION RESERVES THE RIGHT TO CHANGE THE INFORMATION SHOWN WITHOUT NOTICE.