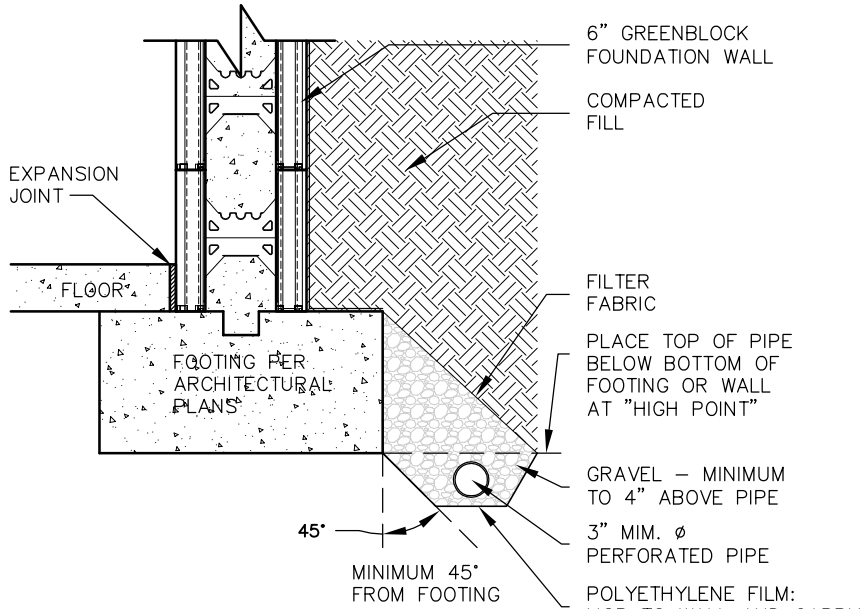


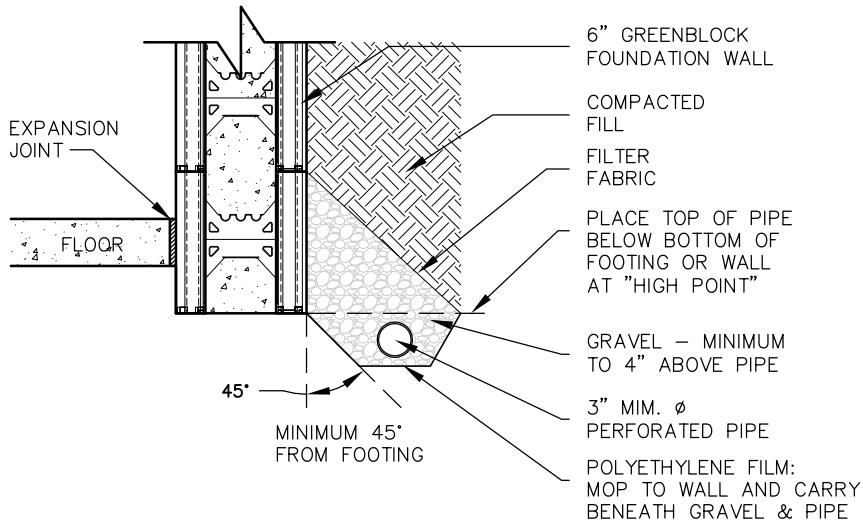
SPREAD FOOTING TYPE



NOTES:

1. GRAVEL SIZE SHALL NOT BE LESS THAN 1/2" IN DIAMETER AND NOT GREATER THAN 1/2" IN DIAMETER.
2. DIAMETER OF PERFORATED PIPE VARIES WITH AMOUNT OF SEEPAGE EXPECTED. 3" DIAMETER IS MOST COMMON.
3. PIPE SHALL BE LAID AT A MINIMUM GRADE OF 1 INCH IN 10 FEET.
4. OUTFALL TO BE UNOBSTRUCTED, GRAVITY OUTFALL IF POSSIBLE. USE SUMP AND PUMP ONLY IF GRAVITY OUTFALL DOES NOT EXIST. DISCHARGE PORTION OF PIPE SHALL BE NON-PERFORATED PAST AREA TO BE DRAINED. OWNER IS RESPONSIBLE TO MAINTAIN DAYLIGHTING OF DRAIN.
5. EXTERIOR EARTH BACKFILL MATERIAL SHOULD BE COMPACTED TO AT LEAST 30% MAXIMUM MODIFIED PROCTOR DENSITY IN THE UPPER THREE FEET OF FILL.
6. FILTER FABRIC SHALL BE MIRAFLI 140 S OR APPROVED EQUAL.
7. DRAIN PIPE SHALL BE LAID BELOW AREA SERVICED OR PROTECTED AS SHOWN IN THE DETAILS.
8. MOP POLYETHYLENE FILM TO WALL AND CARRY BENEATH GRAVEL AND PIPE.
9. THE POLYETHYLENE FILM SHALL BE CONTINUED TO THE EDGE OF THE EXCAVATION.

WALL ON GRADE TYPE



Since 1967
GREENBLOCK[®]
 Insulated Concrete Forms

Greenblock Worldwide Corporation
 759 S. Federal Highway, Suite 213
 Stuart, Florida 34994
 Phone: 772-223-8045
 Fax: 772-334-5554
 Toll Free: 1-800-216-1820

www.Greenblock.com

6 INCH CORE TYPICAL EXTERIOR DRAIN DETAIL

REVISED DATE:	DRAWN BY: CAI
DATE: APRIL 30, 2010	SCALE: NOT TO SCALE
DETAIL NUMBER	GB-168

DISCLAIMER NOTICE: SPECIFIC INFORMATION FOR COMPLIANCE WITH LOCAL CODES, CONSTRUCTION PRACTICES AND REQUIREMENTS IS THE RESPONSIBILITY OF THE DESIGNER REGARDLESS OF DETAILS SHOWN IN DRAWING. GREENBLOCK WORLDWIDE CORPORATION RESERVES THE RIGHT TO CHANGE THE INFORMATION SHOWN WITHOUT NOTICE.